



Secure-Tite® Seal



The Secure-Tite is an adjustable length plastic strap seal designed for various applications.

ADJUSTABLE LENGTH SEAL

APPLICATIONS

- Inner Drum Bags
- Plastic & Cloth Bags
- In-Bond Shipments
- Hatches
- Valves
- Pouches
- Liquor Cabinets
- Tote Boxes
- Bulk Shipments
- Coin Bags

FEATURES

- Self-locking seal, one-piece construction
- 10 seals per mat
- Three strap lengths: 7", 11" & 15" (178, 279 & 381mm)
- Optional gripping prongs

MATERIAL

Polypropylene
Optional Nylon available for additional strength

DIMENSIONS

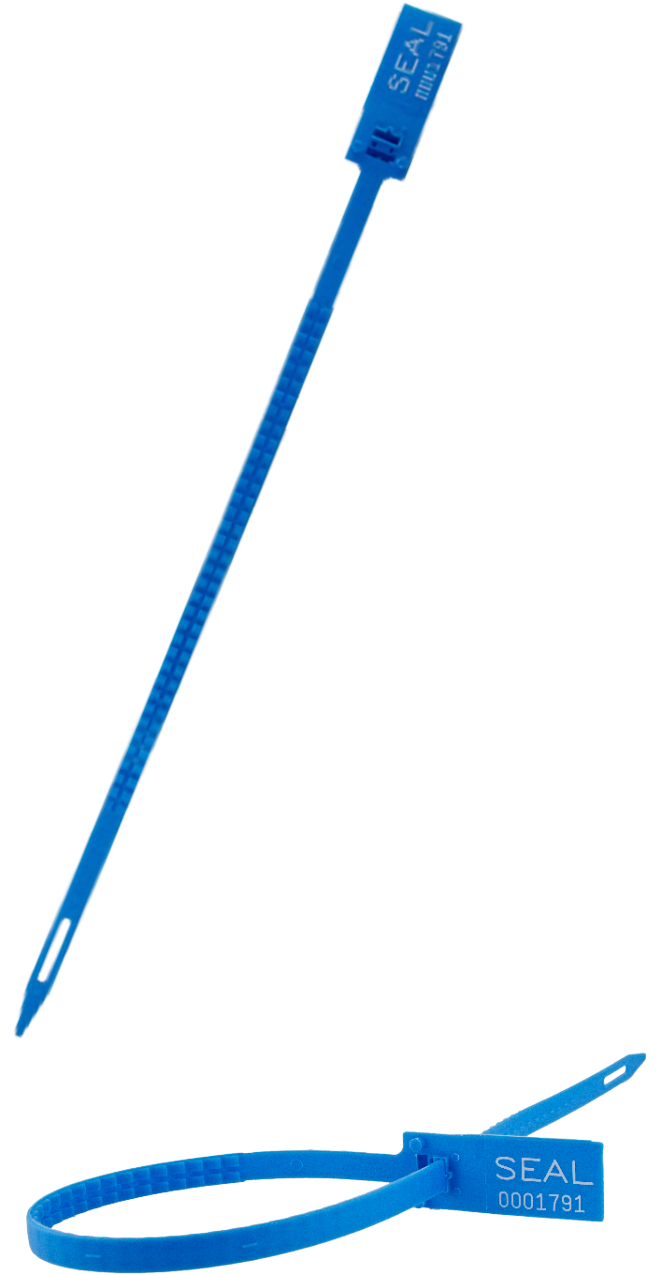
Overall length: 9", 13" or 17" (229, 330 or 432mm)
Flag: 2" (51mm) x .88" (22mm)
Tail: 7", 11" & 15" (178, 279 & 381mm) x .312" (8mm)

STRENGTH CHARACTERISTICS

Polypropylene: Average pull apart force is 85 lbs (38.5kg)

MARKING/PRINTING

Heat stamped name and number (7 digits)
Bar coded vinyl labels (Interleaved 2 of 5, Code 39 or 128)



Seals shown not actual size.



ANGOLA, IN • ATLANTA, GA • TALLAPOOSA, GA • MARTLEY, UK • MEXICO CITY, MX • MONTERREY, MX • SUZHOU, CN

260.624.4800 • 800.344.4772 • www.tydenbrooks.com • info@tydenbrooks.com



Secure-Tite® Seal



STANDARD COLORS

Red / Blue / Green / White / Yellow / Orange



PRODUCT NUMBERS

- 9671007-X – 7" (178mm) w/ prongs, heat stamped, custom #’d
- 9674007-X – 7" (178mm) w/o prongs, heat stamped, custom #’d
- 9671011-X – 11" (381mm) w/ prongs, heat stamped, custom #’d
- 9674011-X – 11" (381mm) w/o prongs, heat stamped, custom #’d
- 9671015-X – 15" (381mm) w/ prongs, heat stamped, custom #’d
- 9674015-X – 15" (381mm) w/o prongs, heat stamped, custom #’d

Note: X denotes color selection

PACKAGING

7" Standard Packaging: 10 Mats/Polybag – 2,500/Carton
 Carton Dimensions: 29" x 15" x 11" (74cm x 38cm x 28cm)
 Gross Carton Weight Polypro: 23 lbs (10 kg)

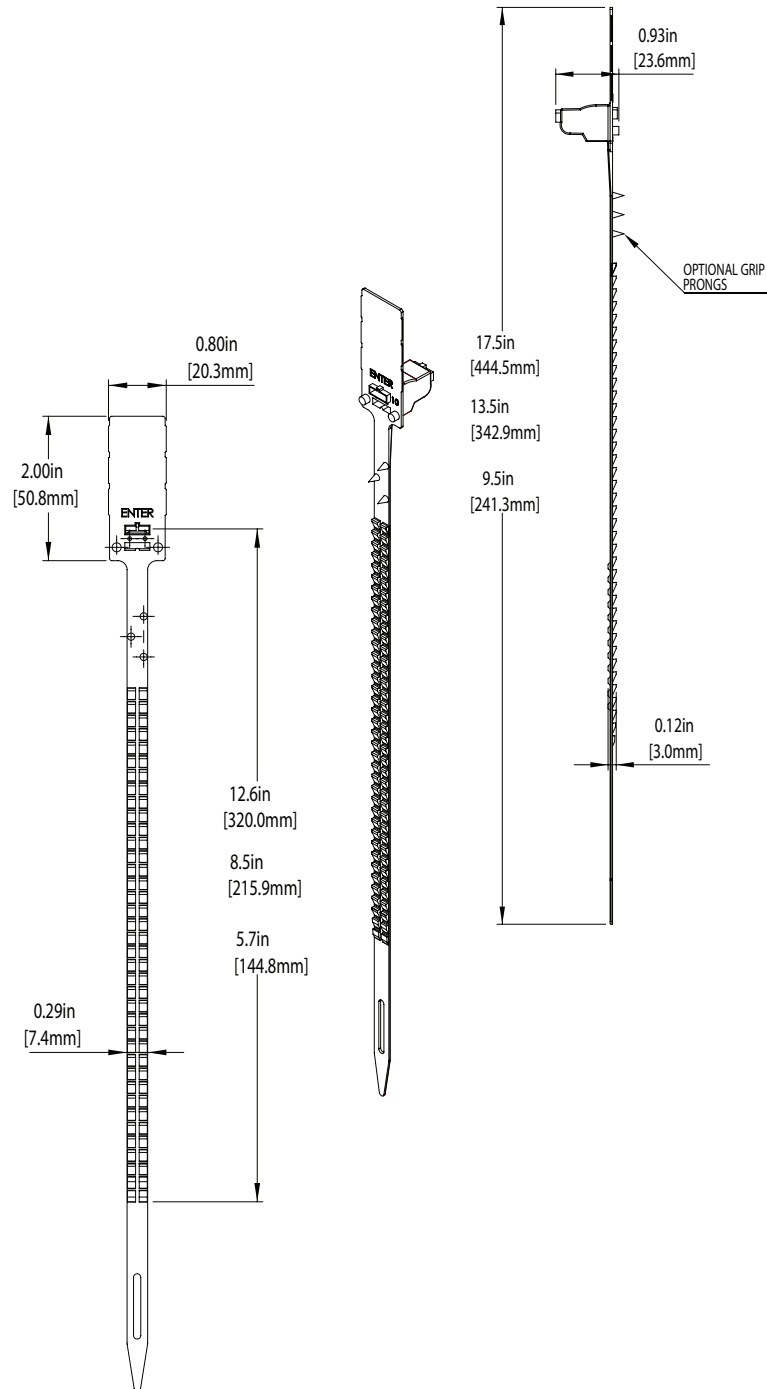
11" Standard Packaging: 10 Mats/Polybag – 2,000/Carton
 Carton Dimensions: 29" x 15" x 11" (74cm x 38cm x 28cm)
 Gross Carton Weight Polypro: 23 lbs (10 kg)

15" Standard Packaging: 10 Mats/Polybag – 1,000/Carton
 Carton Dimensions: 29" x 15" x 11" (74cm x 38cm x 28cm)
 Gross Carton Weight Polypro: 11 lbs (5 kg)

All Sizes- Gross Carton Weight Nylon: 28 lbs (13 kg)

PATENT NUMBERS

US 5,183,301



Poly Lok 15V1



ANGOLA, IN • ATLANTA, GA • TALLAPOOSA, GA • MARTLEY, UK • MEXICO CITY, MX • MONTERREY, MX • SUZHOU, CN

260.624.4800 • 800.344.4772 • www.tydenbrooks.com • info@tydenbrooks.com

